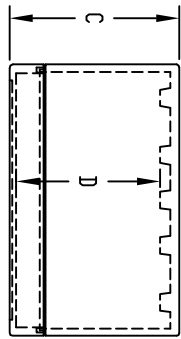
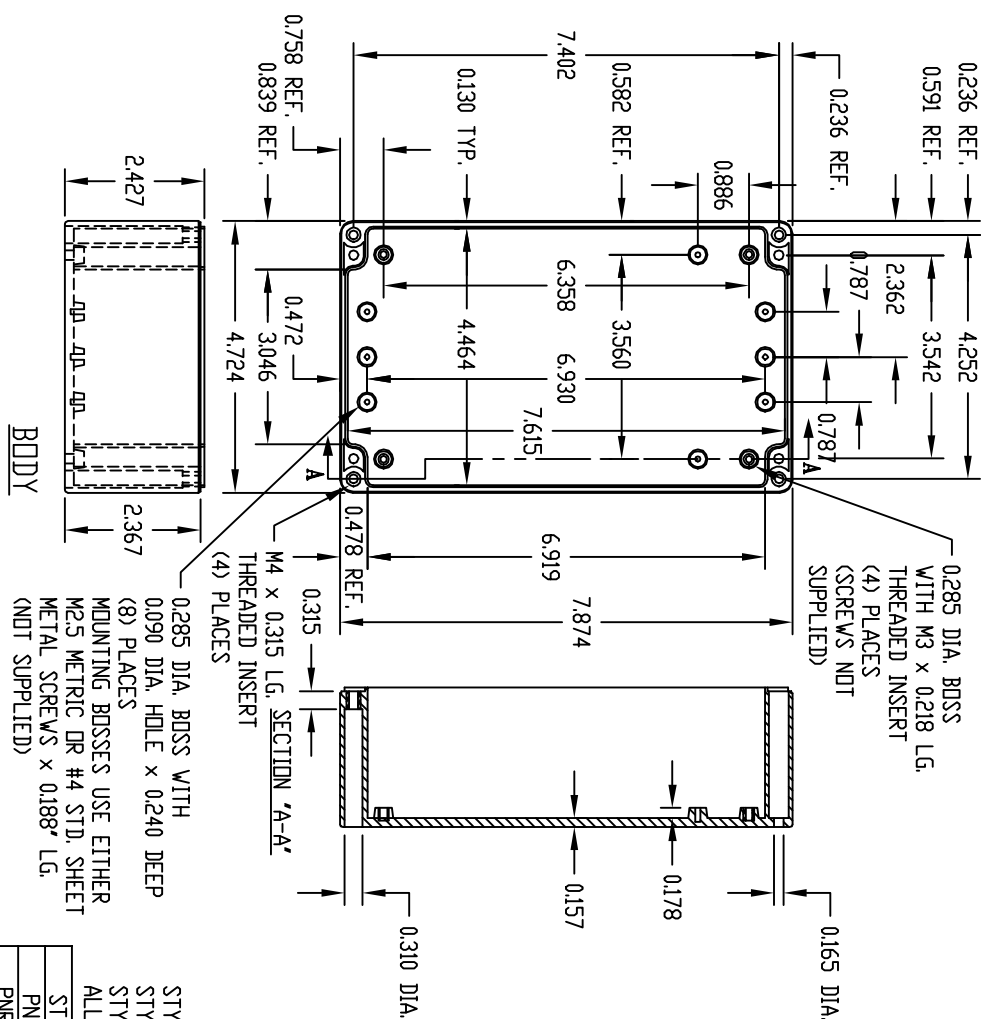


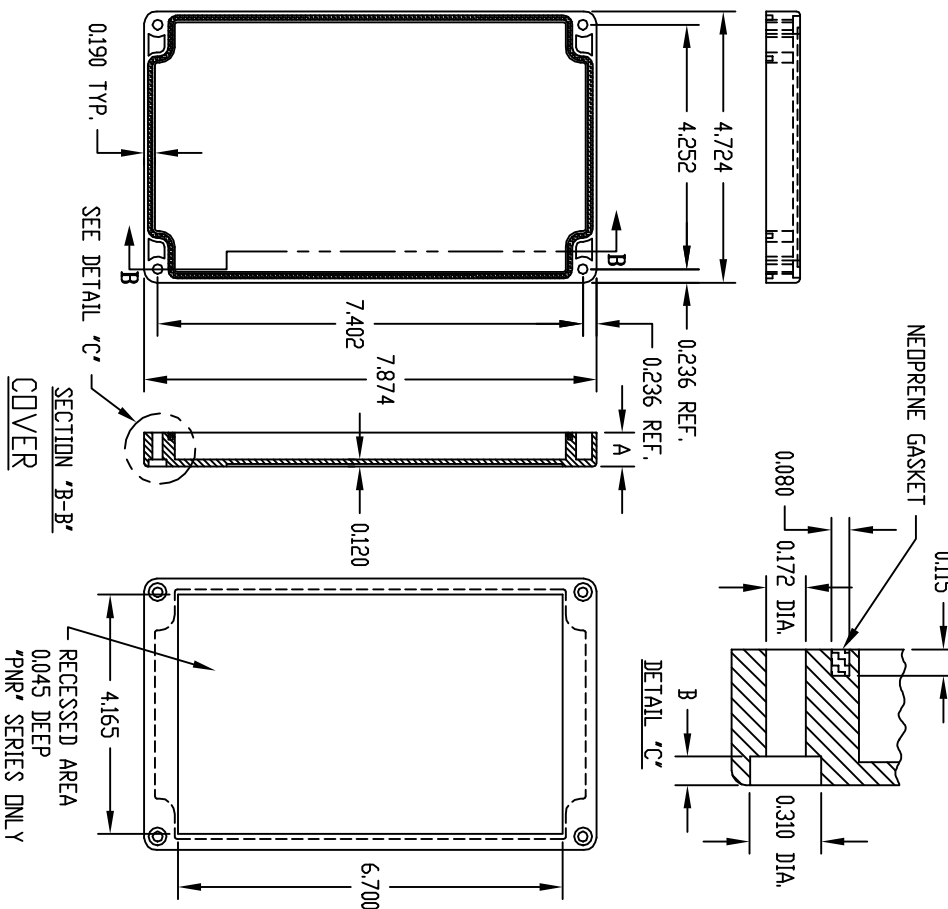
PART NAME NEMA 4X ENCLOSURE

PART No. PN-1334, PN-1334-C AND PN-1334-DG
PNR-2604, PNR-2604-C AND PNR-2604-DG

INDUSTRY STANDARDS:
 POLYCARBONATE (LIGHT GRAY AND CLEAR)
 UL94V-2 FLAMMABILITY RATING (UL FILE #E41613)
 UV STABILIZED
 SERVICE TEMPERATURE RANGE: -40°C TO +120°C
 ABS (DARK GRAY)
 UL94-HB FLAMMABILITY RATING (UL FILE #E56070)
 SERVICE TEMPERATURE RANGE: -40°C TO +80°C



NOTE: ALL DIMENSIONS HAVE ±0.015 TOLERANCE UNLESS OTHERWISE SPECIFIED.



STYLE 1: LIGHT GRAY POLYCARBONATE BODY AND COVER.
 STYLE 2: LIGHT GRAY POLYCARBONATE BODY AND CLEAR POLYCARBONATE COVER.
 STYLE 3: DARK GRAY ABS BODY AND COVER.
 ALL STYLES CONTAIN HARDWARE KIT WITH (4) M4 x 0.668' LG. SCREWS FOR ASSEMBLY.

STYLE 1	STYLE 2	STYLE 3	A	B	C	D
PN-1334	PN-1334-C	PN-1334-DG	0.591	0.125	2.958	2.504
PNR-2604	PNR-2604-C	PNR-2604-DG	1.180	0.710	3.547	3.093